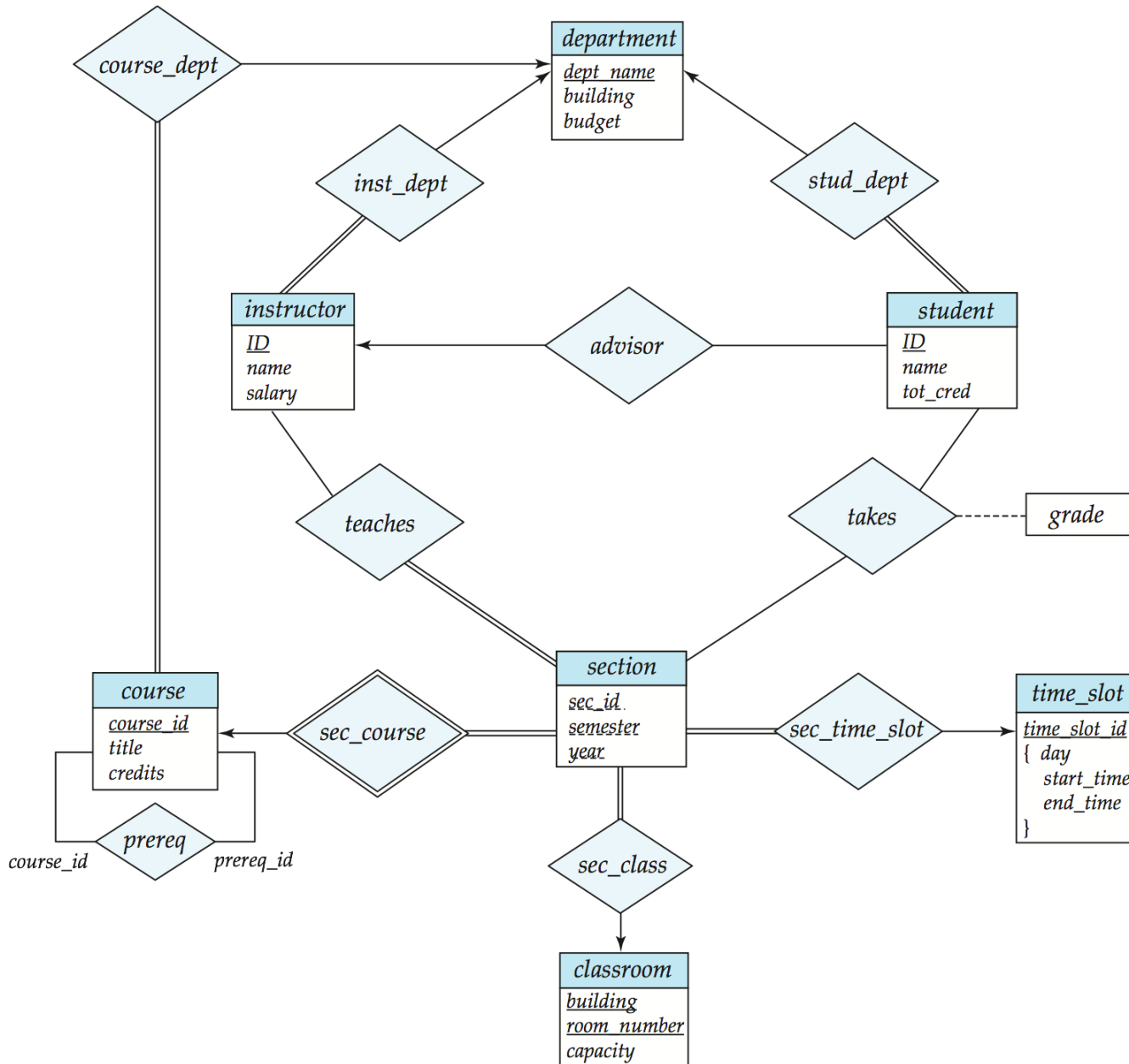
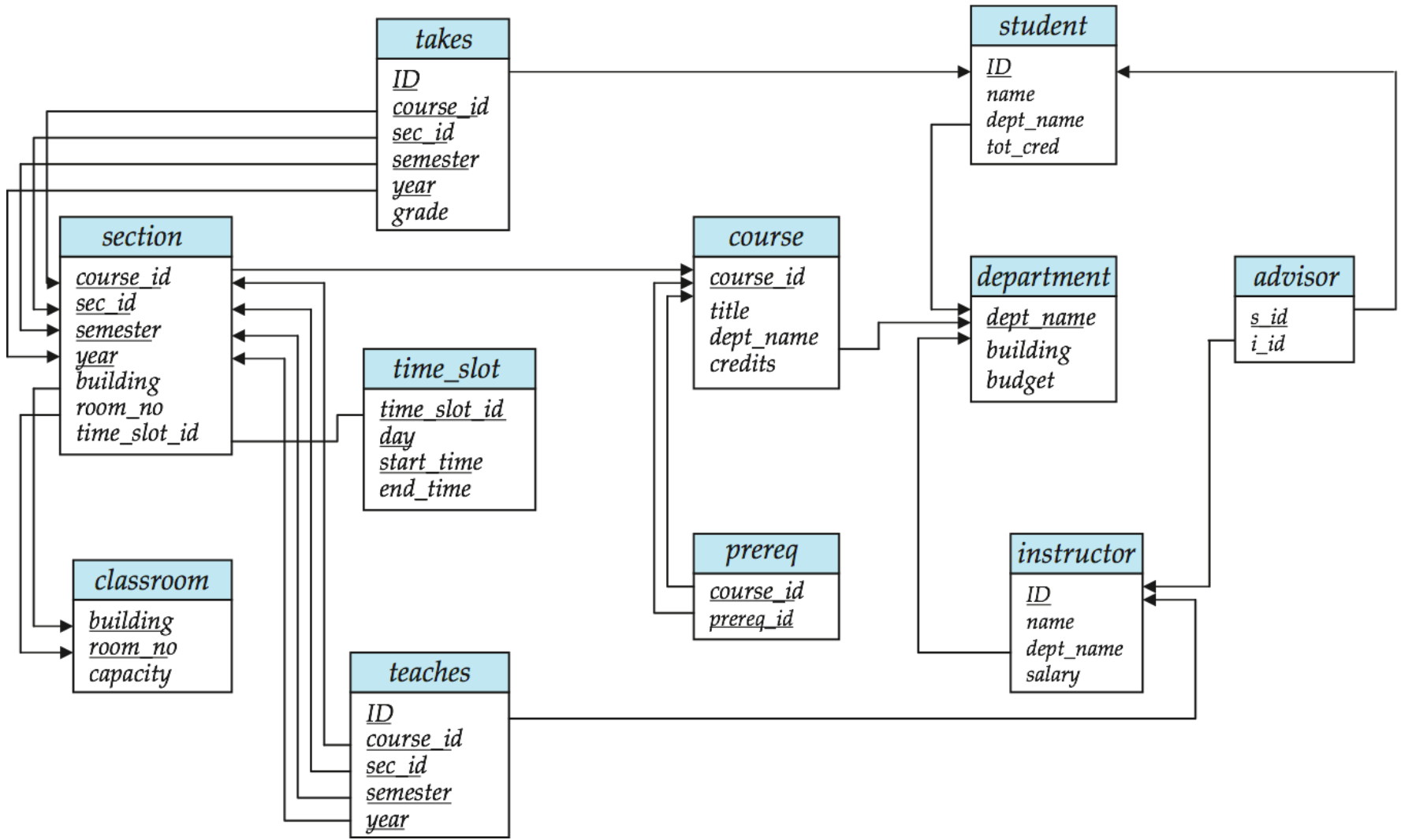


E-R Diagram for a University Enterprise



Schema Diagram



Relational Schemas

Classroom (building, room-number, capacity)

Department (dept-name, building, budget)

Course (course-id, title, dept-name, credits)

Instructor (ID, name, dept-name, salary)

Section (course-id, sec-id, semester, year, building, room-number, time-slot-id)

Teaches (ID, course-id, sec-id, semester, year)

Student (ID, name, dept-name, tot-cred)

Takes (ID, course-id, sec-id, semester, year, grade)

Advisor (s-ID, i-ID)

Time-slot (time-slot-id, day, start-time, end-time)

Prereq (course-id, prereq-id)

<i>ID</i>	<i>name</i>	<i>dept_name</i>	<i>salary</i>
10101	Srinivasan	Comp. Sci.	65000
12121	Wu	Finance	90000
15151	Mozart	Music	40000
22222	Einstein	Physics	95000
32343	El Said	History	60000
33456	Gold	Physics	87000
45565	Katz	Comp. Sci.	75000
58583	Califieri	History	62000
76543	Singh	Finance	80000
76766	Crick	Biology	72000
83821	Brandt	Comp. Sci.	92000
98345	Kim	Elec. Eng.	80000

<i>course_id</i>	<i>title</i>	<i>dept_name</i>	<i>credits</i>
BIO-101	Intro. to Biology	Biology	4
BIO-301	Genetics	Biology	4
BIO-399	Computational Biology	Biology	3
CS-101	Intro. to Computer Science	Comp. Sci.	4
CS-190	Game Design	Comp. Sci.	4
CS-315	Robotics	Comp. Sci.	3
CS-319	Image Processing	Comp. Sci.	3
CS-347	Database System Concepts	Comp. Sci.	3
EE-181	Intro. to Digital Systems	Elec. Eng.	3
FIN-201	Investment Banking	Finance	3
HIS-351	World History	History	3
MU-199	Music Video Production	Music	3
PHY-101	Physical Principles	Physics	4

<i>course_id</i>	<i>prereq_id</i>
BIO-301	BIO-101
BIO-399	BIO-101
CS-190	CS-101
CS-315	CS-101
CS-319	CS-101
CS-347	CS-101
EE-181	PHY-101

<i>dept_name</i>	<i>building</i>	<i>budget</i>
Biology	Watson	90000
Comp. Sci.	Taylor	100000
Elec. Eng.	Taylor	85000
Finance	Painter	120000
History	Painter	50000
Music	Packard	80000
Physics	Watson	70000

<i>course_id</i>	<i>sec_id</i>	<i>semester</i>	<i>year</i>	<i>building</i>	<i>room_number</i>	<i>time_slot_id</i>
BIO-101	1	Summer	2009	Painter	514	B
BIO-301	1	Summer	2010	Painter	514	A
CS-101	1	Fall	2009	Packard	101	H
CS-101	1	Spring	2010	Packard	101	F
CS-190	1	Spring	2009	Taylor	3128	E
CS-190	2	Spring	2009	Taylor	3128	A
CS-315	1	Spring	2010	Watson	120	D
CS-319	1	Spring	2010	Watson	100	B
CS-319	2	Spring	2010	Taylor	3128	C
CS-347	1	Fall	2009	Taylor	3128	A
EE-181	1	Spring	2009	Taylor	3128	C
FIN-201	1	Spring	2010	Packard	101	B
HIS-351	1	Spring	2010	Painter	514	C
MU-199	1	Spring	2010	Packard	101	D
PHY-101	1	Fall	2009	Watson	100	A

<i>ID</i>	<i>course_id</i>	<i>sec_id</i>	<i>semester</i>	<i>year</i>
10101	CS-101	1	Fall	2009
10101	CS-315	1	Spring	2010
10101	CS-347	1	Fall	2009
12121	FIN-201	1	Spring	2010
15151	MU-199	1	Spring	2010
22222	PHY-101	1	Fall	2009
32343	HIS-351	1	Spring	2010
45565	CS-101	1	Spring	2010
45565	CS-319	1	Spring	2010
76766	BIO-101	1	Summer	2009
76766	BIO-301	1	Summer	2010
83821	CS-190	1	Spring	2009
83821	CS-190	2	Spring	2009
83821	CS-319	2	Spring	2010
98345	EE-181	1	Spring	2009

Sample Queries

1. *A list of the names of those instructors who are in the Physics department.*
2. *Find the ID, name, department and salary for those instructors whose salary is greater than \$80000.*
3. *Find the ID (only) for those instructors whose salary is greater than \$80000.*
4. *Find the names of all instructors whose department is in the Watson building.*
5. *Find the ID numbers for those courses that were taught in the Fall 2009 semester, the Spring 2010 semester, or both.*
6. *Find the ID numbers for those courses that were taught in the Fall 2009 semester and in the Spring 2010 semester.*
7. *Find the ID numbers for those courses taught in the Fall 2009 semester, but not in the Spring 2010 semester.*
8. *Find those instructor salaries that are not the maximum.*
9. *Find the largest instructor salary.*
10. *Find the names of those computer science instructors, along with the titles of all courses that the instructor teaches.*
11. *Find the monthly salary for each instructor; include the instructor name in the result.*
12. *Find the average salary for each department; include the department name in the result.*
13. *Find the ID numbers for those students who have taken all courses offered in the Biology department.*